

FAG

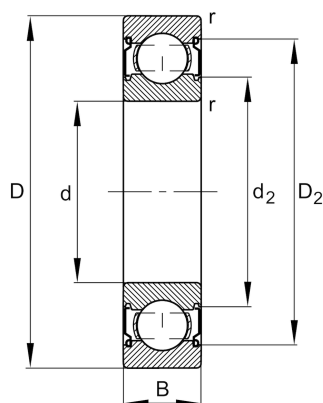
6204-C-2Z

Deep groove ball bearing

Schaeffler ID:
0949834370000

Deep groove ball bearing 62...-C-2Z, single row, Generation C, shields, steel sheet metal cage

Technical information

**Dimensions**

r_{\min}	1 mm	Minimum chamfer dimension
D_2	41.4 mm	Caliber diameter outer ring
d_2	26.6 mm	Caliber diameter inner ring
	0.105 kg	Weight

Main Dimensions & Performance Data

d	20 mm	Bore diameter
D	47 mm	Outside diameter
B	14 mm	Width
C_r	14,700 N	Basic dynamic load rating, radial
C_{0r}	6,600 N	Basic static load rating, radial
C_{ur}	455 N	Fatigue load limit, radial
n_G	20,600 1/min	Limiting speed
n_{gr}	18,100 1/min	Reference speed

Mounting dimensions

$d_{a\min}$	25.6 mm	Minimum diameter shaft shoulder
$D_{a\max}$	41.4 mm	Maximum diameter of housing shoulder
$r_{a\max}$	1 mm	Maximum fillet radius

Calculation factors

f_0	13.1	Calculation factor
-------	------	--------------------

Temperature range

T_{\min}	-20 °C	Operating temperature min.
T_{\max}	120 °C	Operating temperature max.

